

MV-CH500-90TM/TC

50 MP CMOS 10 GigE Area Scan Camera



GEN<i>i>CAM

10GiGE VISION

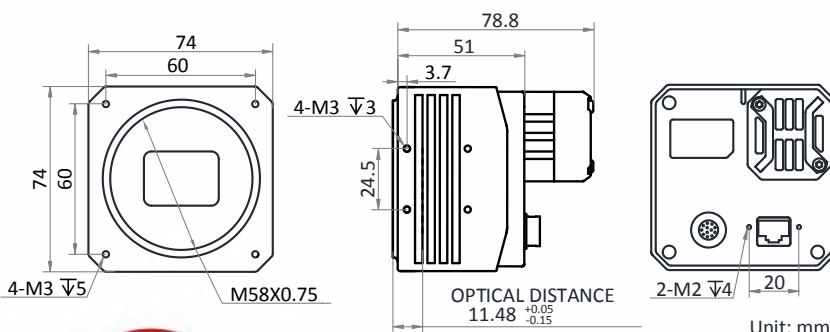
Introduction

MV-CH500-90TM/TC camera adopts Gpixel® GMAX sensor to provide high-quality images with high resolution and low noise. It uses 10 GigE interface to transmit non-compressed data in real time, and its max. frame rate can reach 15.5 fps in full resolution.

Key Feature

- Resolution of 7008 × 7000, and pixel size of 3.2 μm × 3.2 μm.
- Supports auto or manual adjustment of gain, exposure time, and manual adjustment of Gamma correction, LUT, etc.
- Adopts 10 GigE interface, compatible with GigE, and max. transmission distance of 100 meters.
- Compact design with mounting holes on panels for flexible mounting.
- Compatible with GigE Vision V2.0 Protocol, GenlCam Standard, and third-party software based on the protocol and standard.

Dimension



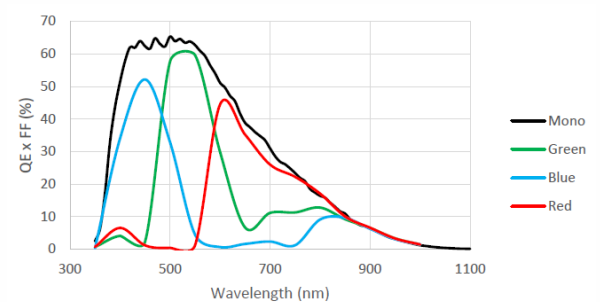
Available Model

- M58-mount with fan, mono: MV-CH500-90TM-M58S-NF
- M58-mount with fan, color: MV-CH500-90TC-M58S-NF

Applicable Industry

PCB AOI, FPD detection, photovoltaics, railway related application, etc.

Sensor Quantum Efficiency



Specification

Model	MV-CH500-90TM	MV-CH500-90TC
Camera		
Sensor type	CMOS, global shutter	
Sensor model	Gpixel® GMAX	
Pixel size	3.2 μm × 3.2 μm	
Sensor size	22.4 mm × 22.4 mm	
Resolution	7008 × 7000	
Max. frame rate	15.5 fps @7008 × 7000	
Dynamic range	66 dB	
SNR	40 dB	
Gain	1.25 × to 6 ×	
Exposure time	15 μs to 10 sec	
Exposure mode	Off/Once/Continuous exposure mode	
Mono/Color	Mono	Color
Pixel format	Mono 8/10/10Packed/12/12Packed	Mono 8/10/12, Bayer BG 8/10/10Packed/12/12Packed, YUV422Packed, YUV422_YUYV_Packed, RGB 8, BGR 8
Binning	Supports 1 × 1, 1 × 2, 1 × 4, 2 × 1, 2 × 2, 2 × 4, 4 × 1, 4 × 2, 4 × 4	
Decimation	Supports 1 × 1, 1 × 2, 1 × 4, 2 × 1, 2 × 2, 2 × 4, 4 × 1, 4 × 2, 4 × 4	
Reverse image	Supports horizontal and vertical reverse image output	
Electrical feature		
Data interface	10 Gigabit Ethernet, compatible with Gigabit Ethernet	
Digital I/O	12-pin P10 connector provides power and I/O, including opto-isolated input × 1 (Line 0), opto-isolated output × 1 (Line 1), bi-directional non-isolated I/O × 1 (Line 2), RS-232 × 1	
Power supply	9 VDC to 24 VDC	
Power consumption	Typ. 11 W@12 VDC	Typ. 12 W@12 VDC
Mechanical		
Lens mount	M58-mount, flange back focal length: 11.48 mm (0.5")	
Dimension	74 mm × 74 mm × 78.8 mm (2.9" × 2.9" × 3.1")	
Weight	Approx. 550 g (1.2 lb)	
Ingress protection	IP40 (under proper lens installation and wiring)	
Temperature	Working temperature: 0 °C to 50 °C (32 °F to 122 °F) Storage temperature: -30 °C to 70 °C (-22 °F to 158 °F)	
Humidity	20% to 95% RH, non-condensing	
General		
Client software	MVS or third-party software meeting with GigE Vision Protocol	
Operating system	32/64-bit Windows 7/10	
Compatibility	GigE Vision V2.0, GenICam	
Certification	CE, RoHS, KC	

HIKROBOT

Hangzhou Hikrobot Co., Ltd.
en.hikrobotics.com

© Hangzhou Hikrobot Co., Ltd. All Rights Reserved.
Hangzhou Hikrobot does not tolerate any infringement. Any organization or individual may not imitate or reproduce in whole or in part of the content. The data herein is based on Hikrobot's internal evaluation. Actual data may vary depending on specific configuration and operating condition. The information herein is subject to change without notice. All the content has been checked conscientiously. Nevertheless, Hikrobot shall not be liable to damages resulting from errors, inconsistencies or omissions.