

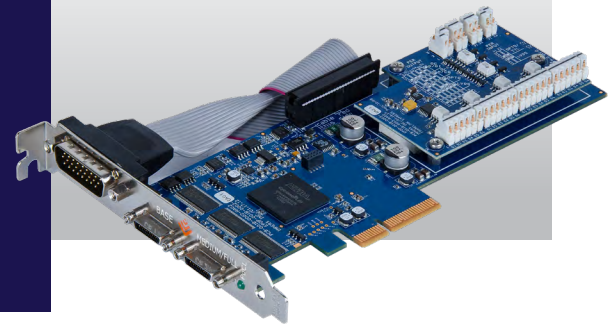
# CHEETAH

RUGGEDIZED CAMERA SERIES

## FRAME GRABBERS

# VCE-CLPCIe04

Camera Link® PCIe x4 Card for Desktop PCs



### Imperx: VCE-CLPCIe04

IMPERX Framelink PCIe x4 is a single-channel professional level PCI Express video capture card that enables users to view and store in real time mega pixel images from any Camera Link source onto desktop computers. The Framelink PCIe x4 is capable of capturing single or multiple frames and standard AVI clips from one Base, Medium, Full or Deca Camera Link compliant video source. Each captured frame can be stamped with a user message along with the date and time of capture. The Framelink VCE-CLPCIe04 comes with easy to use camera configuration software for fast integration of the card into demanding machine vision environments.

### Key Features

- PCIe x4 compliant providing 10 Gbps of bandwidth
- Fully compliant with the Power over Camera Link (PoCL) and Safe Power specifications
- Built in comprehensive programmable logic controller (PLC)
- Intelligent scatter/gather DMA for fast, efficient use of PCIe bandwidth and system memory
- Flow-through pipeline architecture for low latency
- Unique 'auto-learn' feature automatically recognizes camera parameters and simplifies CAM file creation
- Includes 4 external inputs each configurable as TTL, LVDS or Opto-coupled
- Includes 4 general outputs each configurable as TTL, LVDS, Opto-coupled or Open Collector
- Dynamic buffer allocation
- Selectable window sizes
- Adjustable RGB brightness and auto white balance
- Bayer pattern interpolation
- Captures single, multiple frames or AVI clips
- Normal or delay capture
- Date, time and text overlay
- BMP, TIFF or adjustable JPEG file format
- Image viewer with DVR controls
- Look up tables, histograms, hex pixel dump

### Specifications

Feature	Description	Feature	Description
Software	Application program: Full featured, intuitive, easy to use GUI Drivers: Windows 10/11 in 32- and 64-bit versions, DirectX, Halcon, LabVIEW, Matlab, MIL SDK: C/C++, COM, .NET, ActiveX – all with sample source code	Power	3.3 V DC +/-5%, 500 mA steady 1.65 W constant power
Video Source	Uses two mini-CL (SDR/HDR) connectors Base: 24 video data bits plus strobes and clock per channel Medium: 48 video data bits plus strobes and clock per channel Full: 64 video data bits plus strobes and clock Deca: 80 video data bits plus strobes and clock Bi-directional serial interface	Mechanical	Low profile PCI Express form factor
Video Format	Base: 1x8, 2x8, 3x8, 1x10, 2x10, 1x12, 2x12, 1x14, 1x16 and 3x8 (RGB24) Medium: 4x8, 3x10, 4x10, 3x12, 4x12, RGB30 and RGB36 Full: 8x8 Deca: 8x10 or 10x8 Monochrome and color: RGB, Bayer and TRUESENSE Sparse CFA	Weight	1.59 oz. (45 g)
		Environmental	-40 °C to +85 °C Operating
		Humidity	90% non-condensing
		MTBF	>390,000 hours @ 50°C (MIL-STD-785B, MIL-HDBK-217F)
		Regulatory	FCC Part 15 Class B, CE, RoHS

## Software

Camera parameters

Manufacturer: Imperx Inc. Load...

Model:

Description:

Alias:  Save...

Camera resolution

Learn	Pre-valid	Valid	Post-valid
Width(pixels)	0	5328	0
Height(lines)	0	3040	0

Tap reconstruction

Swap taps More >>>

8 taps, L->R Interleaved

Strobes

Ignore DVAL

Invert DVAL

Invert LVAL

Invert FVAL

Video Type

Monochrome

Bayer

RGB

CMYG

TRUESENSE

Camera bit depth

Packed

8  10  12  14  16

RGB24  RGB30  RGB36

Pattern start

G  R  P  G

B  G  G  P

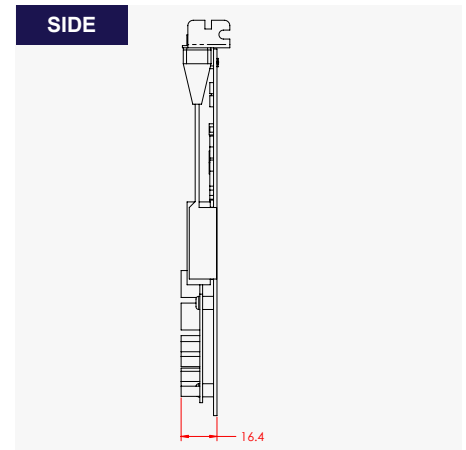
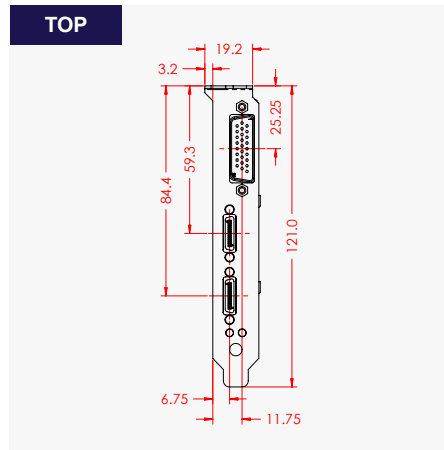
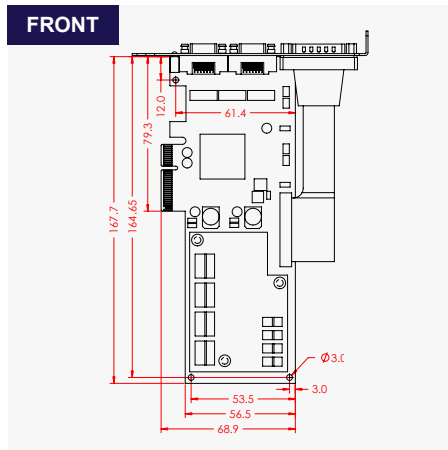
P  G  P  R

G  P  R  P

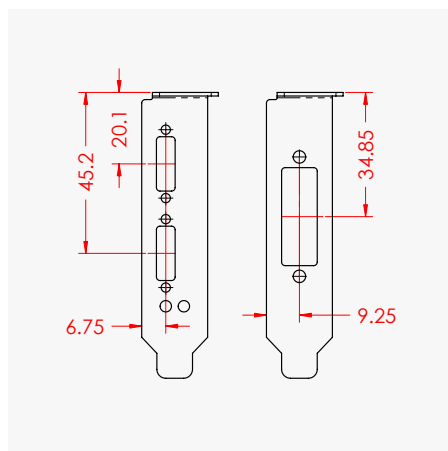
Apply

Start grab

## Dimensions



## Supplied with low profile bracket



## Ordering Information

### VCE-CLPCLe04

For specific details and ordering information, consult the FrameLink Express user's manual or contact IMPERX at [sales@imperx.com](mailto:sales@imperx.com).



IMPERX 6421 Congress Ave., Boca Raton, FL 33487, USA  
Tel: +1-561-989-0006. Email: [sales@imperx.com](mailto:sales@imperx.com)

Rev: VCE-CLPCLe04\_r4\_2023

Quality Management System ISO 9001:2015 Registered  
Environmental Management System ISO 14001:2015 Registered  
DDTC Registered (Directorate of Defense Trade Controls, US Department of State)



[WWW.IMPERX.COM](http://WWW.IMPERX.COM)

Technical data has been fully checked, but accuracy of printed matter is not guaranteed. Subject to change without notice. Copyright 2023