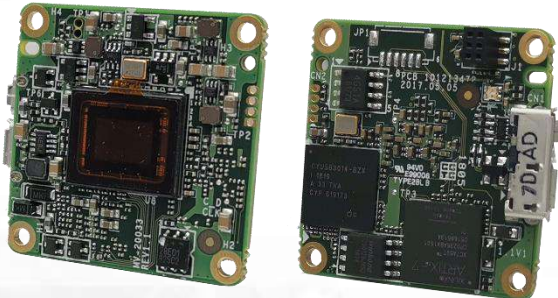


# MV-CB060-10UM/UC

6 MP 1/1.8" CMOS USB3.0 Board Level Camera



GEN*i*CAM

USB<sup>TM</sup>  
VISION

## Introduction

MV-CB060-10UM/UC camera adopts Sony® IMX178 sensor to provide high-quality image. With single board design, it is small in size, which can meet different spatial requirements.

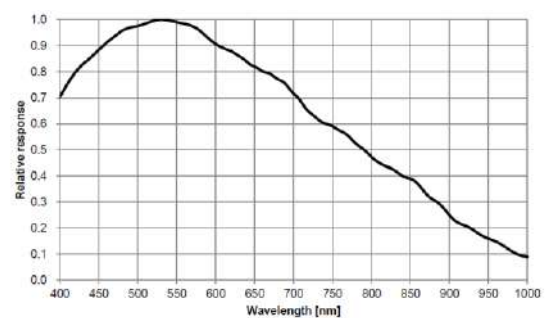
## Key Feature

- Compact design for flexible installation.
- Supports auto and manual adjustment for gain, exposure control, white balance, LUT, etc.
- Adopts image interpolation algorithm for color camera to have better color correction.
- Power supply and data transmission via USB3.0 interface.
- Compatible with USB3 Vision Protocol, GenICam standard, and the third-party software based on these protocol and standard.

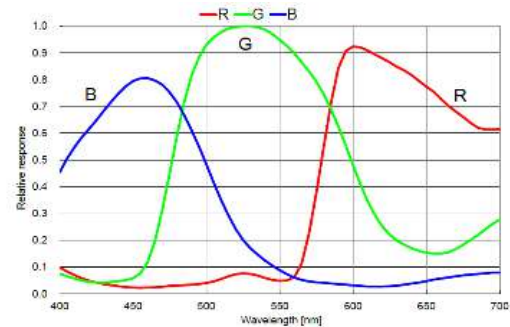
## Available Model

- Single board mono camera: MV-CB060-10UM-B
- Single board color camera: MV-CB060-10UC-B
- C-mount mono camera: MV-CB060-10UM-C
- C-mount color camera: MV-CB060-10UC-C
- M12-mount mono camera: MV-CB060-10UM-S
- M12-mount color camera: MV-CB060-10UC-S

## Sensor Quantum Efficiency



MV-CB060-10UM



MV-CB060-10UC

## Applicable Industry

Electronic semiconductor, factory automation, logistics, liquor and beverage, medicine packing, etc.

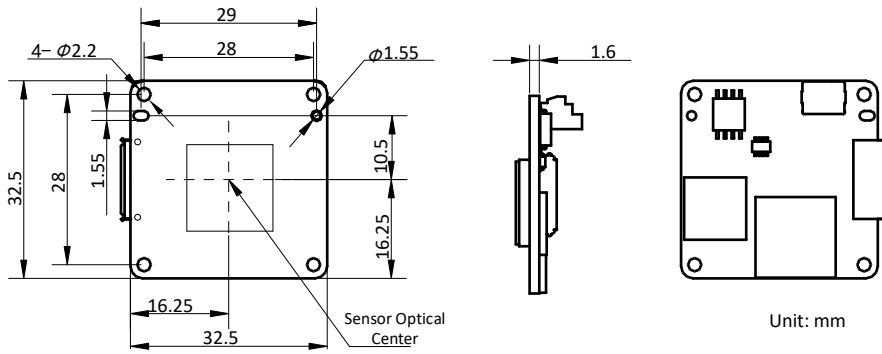


# Specification

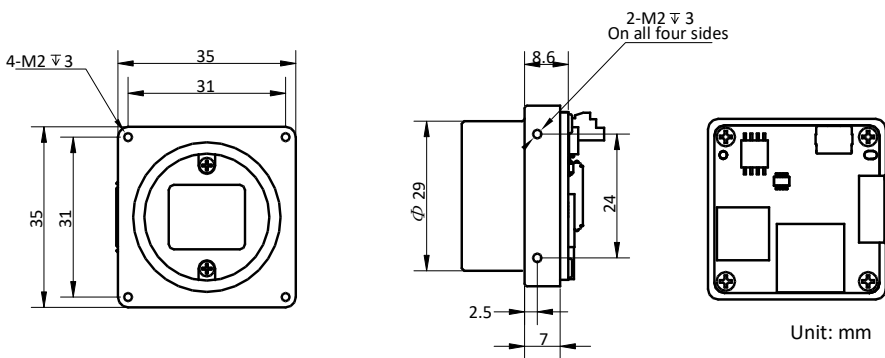
Model	MV-CB060-10UM	MV-CB060-10UC
<b>Camera</b>		
<b>Sensor type</b>	CMOS, rolling shutter	
<b>Sensor model</b>	Sony® IMX178	
<b>Pixel size</b>	2.4 μm × 2.4 μm	
<b>Sensor size</b>	1/1.8"	
<b>Resolution</b>	3072 × 2048	
<b>Max. frame rate</b>	17 fps @3072 × 2048	29 fps @3072 × 2048
<b>Dynamic range</b>	71.3 dB	
<b>SNR</b>	41.3 dB	
<b>Gain</b>	0 dB to 20 dB	
<b>Exposure time</b>	27 μs to 2.5 sec	16 μs to 2.5 sec (Bayer) 24 μs to 2.5 sec (other pixel formats)
<b>Exposure mode</b>	Supports Off/ Once/ Continuous exposure mode, and Global Reset.	
<b>Mono/color</b>	Mono	Color
<b>Pixel format</b>	Mono 8/10/10p/12/12p	Mono8/10/12, Bayer RG 8/10/10p/12/12p YUV422Packed, YUV422_YUYV_Packed, RGB 8
<b>Binning</b>	Supports 1 × 1, 2 × 2	
<b>Decimation</b>	Not support	
<b>Reverse image</b>	Supports horizontal reverse image output	
<b>Electrical feature</b>		
<b>Data interface</b>	USB3.0	
<b>Digital I/O</b>	Bi-directional non-isolated I/O x 2 (Line 1, Line 2)	
<b>Power supply</b>	USB3.0 power supply	
<b>Power consumption</b>	Typ. 2.0 W@5 VDC	
<b>Mechanical</b>		
<b>Lens mount</b>	Single board camera: none C-mount camera: C-mount M12-mount camera: M12-mount	
<b>Dimension</b>	Single board camera: 32.5 mm × 32.5 mm × 1.6 mm (1.3" × 1.3" × 0.1") C-mount camera: 35 mm × 35 mm × 8.6 mm (1.4" × 1.4" × 0.3") M12-mount camera: 35 mm × 35 mm × 8.6 mm (1.4" × 1.4" × 0.3")	
<b>Weight</b>	Single board camera: Approx. 10 g (0.02 lb.) C-mount camera: Approx. 30 g (0.07 lb.) M12-mount camera: Approx. 30 g (0.07 lb.)	
<b>Temperature</b>	Working temperature: 0 °C to 50 °C (32 °F to 122 °F) Storage temperature: -30 °C to 70 °C (-22 °F to 158 °F)	
<b>Humidity</b>	20% to 80% RH, non-condensing	
<b>General</b>		
<b>Client software</b>	MVS or third-party software with USB3 Vision Protocol	
<b>Operating system</b>	32/64-bit Windows XP/7/10, 32/64-bit Linux	
<b>Compatibility</b>	USB3 Vision, GenICam	
<b>Certification</b>	CE, FCC, RoHS, KC	

# Dimension

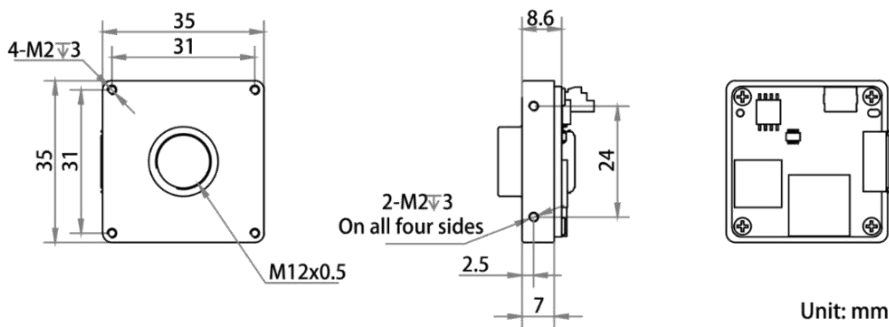
Single board camera:



C-mount camera:



M12-mount camera:



**HIKROBOT**

Hangzhou Hikrobot Co., Ltd.  
en.hikrobotics.com