

# MV-CH120-20UM/UC

12 MP 1" CMOS USB3.0 Area Scan Camera



GEN<i>i</i>CAM

USB™  
VISION

## Introduction

MV-CH120-20UM/UC camera adopts OnSemi XGS12000 sensor to provide high-quality images. It uses USB3.0 interface to transmit images in real time, and its max. frame rate can reach 28 fps in full resolution.

## Key Feature

- Supports auto or manual adjustment for gain and exposure time, and manual adjustment for LUT and Gamma correction.
- Compact design with mounting holes on panels for flexible mounting from 4 sides.
- Supports hardware trigger, software trigger and free run mode.
- Compatible with USB3 Vision Protocol, GenCam Standard, and the third-party software based on these protocol and standard.

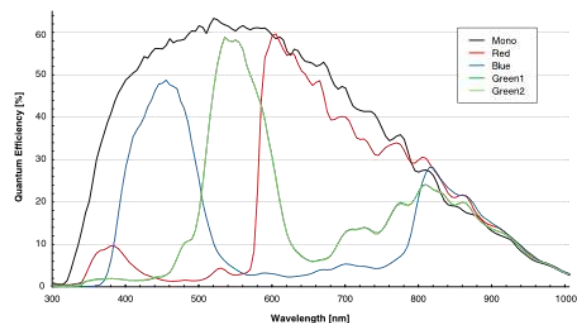
## Available Model

- Mono camera: MV-CH120-20UM
- Color camera: MV-CH120-20UC

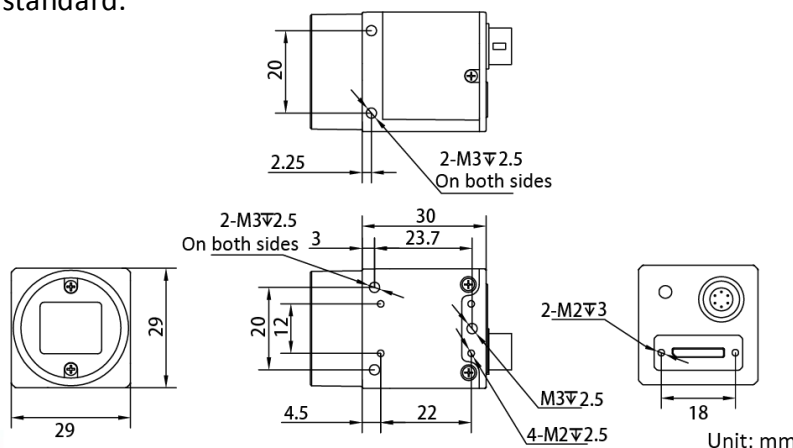
## Applicable Industry

Electronic semiconductor, factory automation, logistics, etc.

## Sensor Quantum Efficiency



## Dimension



## Specification

Model	MV-CH120-20UM	MV-CH120-20UC
<b>Camera</b>		
Sensor type	CMOS, global shutter	
Sensor model	OnSemi XGS12000	
Pixel size	3.2 $\mu\text{m}$ $\times$ 3.2 $\mu\text{m}$	
Sensor size	1"	
Resolution	4096 $\times$ 3072	
Max. frame rate	28 fps @4096 $\times$ 3072	
Dynamic range	68 dB	
SNR	40 dB	
Gain	0 dB to 18 dB	
Exposure time	UltraShort exposure mode: 52 $\mu\text{s}$ to 161 $\mu\text{s}$	UltraShort exposure mode: 10 $\mu\text{s}$ to 56 $\mu\text{s}$
	Standard exposure mode: 162 $\mu\text{s}$ to 10 sec	Standard exposure mode: 57 $\mu\text{s}$ to 10 sec
Exposure mode	Off/Once/Continuous exposure mode	
Mono/color	Mono	Color
Pixel format	Mono 8/10/10p/12/12p	Mono 8/10/12, Bayer RG 8/10/10p/12/12p, YUV422Packed, YUV422_YUYV_Packed, RGB 8, BGR 8
Binning	Supports 1 $\times$ 1, 2 $\times$ 2, 4 $\times$ 4	
Decimation	Supports 1 $\times$ 1, 2 $\times$ 2	
Reverse image	Supports horizontal and vertical reverse image output	
<b>Electrical feature</b>		
Data interface	USB3.0, compatible with USB2.0	
Digital I/O	6-pin P7 connector provides power and I/O, including opto-isolated input $\times$ 1 (Line 0), opto-isolated output $\times$ 1 (Line 1), and bi-directional non-isolated I/O $\times$ 1 (Line 2)	
Power supply	9 VDC to 24 VDC, supports USB3.0 power supply	
Power consumption	Typ. 3.5 W@5 VDC (USB3.0 provides power supply)	Typ. 3.2 W@5 VDC (USB3.0 provides power supply)
<b>Mechanical</b>		
Lens mount	C-Mount	
Dimension	29 mm $\times$ 29 mm $\times$ 30 mm (1.1" $\times$ 1.1" $\times$ 1.2")	
Weight	Approx. 80 g (0.2 lb.)	
Ingress protection	IP40 (under proper lens installation and wiring)	
Temperature	Working temperature: 0 $^{\circ}\text{C}$ to 50 $^{\circ}\text{C}$ (32 $^{\circ}\text{F}$ to 122 $^{\circ}\text{F}$ ) Storage temperature: -30 $^{\circ}\text{C}$ to 70 $^{\circ}\text{C}$ (-22 $^{\circ}\text{F}$ to 158 $^{\circ}\text{F}$ )	
Humidity	20% to 95% RH, non-condensing	
<b>General</b>		
Client software	MVS or third-party software meeting with USB3.0 Vision Protocol	
Operating system	32/64-bit Windows XP/7/10, 32/64-bit Linux and 64-bit MacOS	
Compatibility	USB3 Vision, GenICam	
Certification	CE, FCC, RoHS, KC	

# HIKROBOT

Hangzhou Hikrobot Technology Co., Ltd.  
No.399 Danfeng Road, Binjiang District, Hangzhou 310051, China.  
en.hikrobotics.com

Copyright Hikrobot

Hangzhou Hikrobot Technology Co., Ltd. All Rights Reserved. Hangzhou Hikrobot Technology does not tolerate any infringement. Any organization or individual may not imitate or reproduce in whole or in part of the content. The data herein is based on Hikrobot's internal evaluation. Actual data may vary depending on specific configuration and operating condition. The information herein is subject to change without notice. All the content has been checked conscientiously. Nevertheless, Hikrobot shall not be liable to damages resulting from errors, inconsistencies or omissions.