

MV-CL081-41CM

8192 P Camera Link Line Scan Camera



GEN*i*CAM



Introduction

MV-CL081-41CM adopts 8192 × 1 CMOS sensor, uses Camera Link interface to transmit images, and its max. line rate reaches 74 kHz. It integrates multiple ISP technologies, and supports different trigger modes like line trigger, frame trigger, and trigger-width exposure.

Key Feature

- Integrates multiple ISP technologies, and supports manual adjustment of Gamma correction, FFC correction, LUT, black level, etc.
- Supports multiple exposure and acquisition modes with max. line rate of 74 kHz.
- Adopts configurable bi-directional I/O hardware design.
- Compact design and flexible installation.
- Compatible with Camera Link Protocol and GenICam Standard.

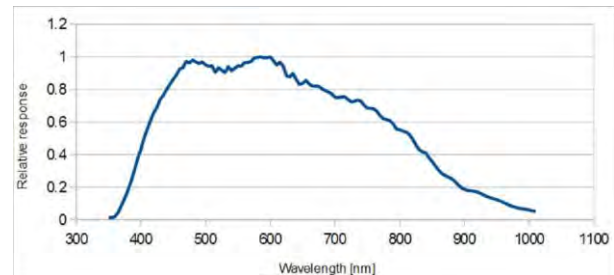
Available Model

MV-CL081-41CM

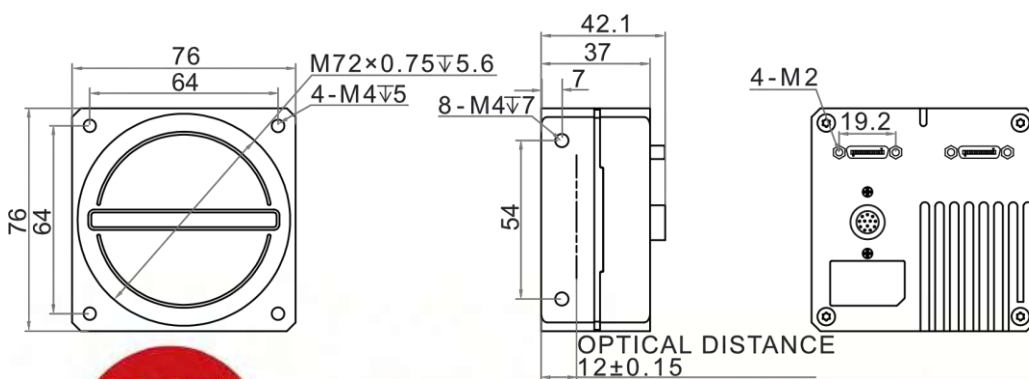
Applicable Industry

New energy, screen detection, 3C, metallurgy, etc.

Sensor Quantum Efficiency



Dimension



Specification

Model	MV-CL081-41CM
Camera	
Sensor type	CMOS
Pixel size	7 μm
Resolution	8192 × 1
Image mode	1-line
Max. line rate	20 kHz (Base), 40 kHz (Medium), 74 kHz (Full)
Configuration mode	Base, Medium, Full
Tap geometry	1 × 2, 1 × 4, 1 × 8
Tap number	2 Taps, 4 Taps, 8 Taps
Pixel clock	40 MHz, 66 MHz, 80 MHz, 85 MHz
Dynamic range	64.7 dB
SNR	44.3 dB
Gain	Supports 1 ×, 2 ×, 4 ×, 8 ×
Exposure time	2 μs to 10 ms
Exposure mode	Off/ Once/ Continuous exposure mode; supports fixed exposure time, trigger-width exposure
Mono/color	Mono
Pixel format	Mono 8/10/12
Binning	Supports 1 × 1, 2 × 2, 4 × 4
Reverse image	Supports horizontal reverse image output
Trigger mode	External trigger, internal trigger
External trigger mode	Line trigger, frame trigger, line + frame trigger
Electrical features	
Data interface	Camera Link; USB interface for updating firmware
Digital I/O	12-pin P10 connector provides power and I/O: configurable input and output × 4 (Line 0/1/3/4), and support single-end/differential. Camera Link provides I/O (CC1/CC2/CC3/CC4).
Power supply	12 VDC to 24 VDC
Power consumption	Typ. 5.8 W@12 VDC
Mechanical	
Lens mount	M72*0.75, optical back focal length: 12 mm (0.5"), applicable to F-mount via lens adapter
Dimension	76 mm × 76 mm × 42.1 mm (3.0" × 3.0" × 1.7")
Weight	Approx. 320 g (0.7 lb.)
Ingress protection	IP40 (under proper lens installation and wiring)
Temperature	Working temperature: 0 °C to 55 °C (32 °F to 131 °F) Storage temperature: -30 °C to 80 °C (-22 °F to 176 °F)
Humidity	5% to 90% RH, non-condensing
General	
Client software	MVS and frame grabber software meeting with Camera Link Protocol
Operating system	32/64-bit Windows 7/10
Compatibility	Camera Link V1.2, GenICam
Certification	CE, FCC, RoHS, KC

HIKROBOT

Hangzhou Hikrobot Technology Co., Ltd.
No.399 Danfeng Road, Binjiang District, Hangzhou 310051, China.
en.hikrobotics.com

MaxxVision®

Sigmaringer Str. 121
70567 Stuttgart
Tel.: 0711 997 996 3
www.maxxvision.com

Copyright Hikrobot

Hangzhou Hikrobot Technology Co., Ltd. All Rights Reserved. Hangzhou Hikrobot Technology does not tolerate any infringement. Any organization or individual may not imitate or reproduce in whole or in part of the content. The data herein is based on Hikrobot's internal evaluation. Actual data may vary depending on specific configuration and operating condition. The information herein is subject to change without notice. All the content has been checked conscientiously. Nevertheless, Hikrobot shall not be liable to damages resulting from errors, inconsistencies or omissions.